

LOW EAVE (GUTTER)

ED7000 - SCULPTURED RAKE TO ON-SLOPE GUTTER INSTALL

ED7005 - LOW EAVE INSIDE CORNER GUTTER

ED7010 - HORIZONTAL GUTTER - SCULPTURED RAKE

ED7303 - ON-SLOPE GUTTER AT HIP - VR

ED7304 - ON-SLOPE GUTTER AT VALLEY - VR

ED7603 - ON-SLOPE GUTTER AT HIP - TRAP

ED7604 - ON-SLOPE GUTTER AT VALLEY - TRAP

ED7000 - SCULPTURED RAKE TO ON-SLOPE GUTTER INSTALL

[Download the DWG file by clicking here.](#)

STEP 1

GUTTER END CAPS

APPLY A CONTINUOUS BEAD OF POLYURETHANE TUBE CAULK (H3152) AROUND THREE SIDES OF THE GUTTER END CAP (H4000_).

INSERT THE GUTTER CAP 1/2" (H4000_) INTO THE END OF THE GUTTER.

FASTEN WITH **POP RIVETS (H1100)** AS SHOWN IN GUTTER DETAIL. APPLY **POLYURETHANE TUBE CAULK (H3152)** AROUND PERIMETER INSIDE GUTTER TO SEAL CAP.

EXTEND GUTTER BEYOND FACE OF WALL CORNER TRIM AS SHOWN.

RAKE CAP END INSTALLATION

HOLD THE RAKE CAP END (**RSCE**) TIGHT TO THE BACK OF AND FLUSH WITH THE BOTTOM OF THE GUTTER. FASTEN TO THE WALL CORNER TRIM WITH (2) TRIM-COLORED SELF-DRILLING **SCREWS (H1050)**.

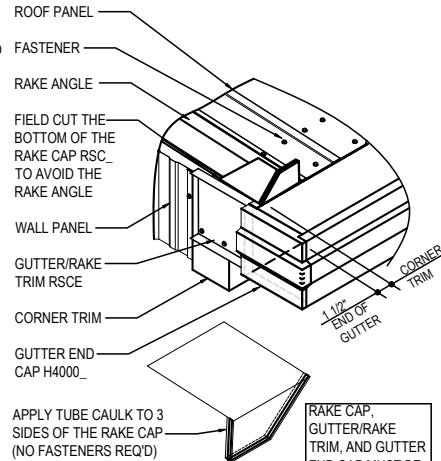
RAKE CAP INSTALLATION

BEFORE INSTALLING THE RAKE TRIM, THE RAKE CAP MUST BE INSTALLED.

APPLY **POLYURETHANE TUBE CAULK (H3152)** TO (3) SIDES OF THE **RAKE CAP** AND PLACE IT ON THE END OF THE PANEL 1/2" FROM THE EDGE OF THE GUTTER END CAP (FLUSH WITH FACE OF CORNER TRIM.) NO FASTENERS ARE REQUIRED FOR THE RAKE CAP. FIELD COPE FLAT OF RAKE CAP AS REQUIRED.

RAKE CAP PART NUMBERS

- RSCL (LEFT)
- RSCR (RIGHT)



APPLY TUBE CAULK TO 3 SIDES OF THE RAKE CAP (NO FASTENERS REQ'D)

RAKE CAP, GUTTER/RAKE TRIM, AND GUTTER END CAP MUST BE INSTALLED BEFORE THE RAKE TRIM.

STEP 2

RAKE TRIM INSTALLATION AT BUILDING WITH GUTTER

RAKE TRIM PART NUMBERS

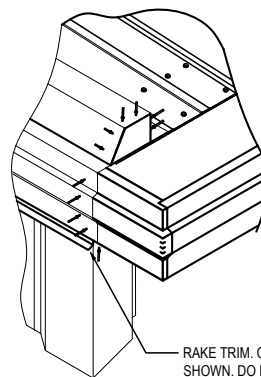
- RS_121 X 10'-1"
- RS_242 X 20'-2"

ALL PARTS MUST BE POSITIONED PROPERLY BEFORE TOUCHING THE MASTIC TO THE ROOF PANEL. MASTIC CANNOT BE REUSED.

ALIGN THE END OF THE RAKE TRIM WITH THE END OF THE ROOF PANEL. THIS WILL LAP ONTO THE GUTTER END CAP.

ALWAYS START THE RAKE TRIM INSTALLATION AT THE LOW EAVE WORKING TOWARD THE HIGH EAVE OR RIDGE. INSTALL RAKE TRIM ACCORDING RAKE TRIM DETAIL

COPE THE BOTTOM VERTICAL LEG OF THE RAKE TRIM FLUSH WITH THE OUTSIDE EDGE OF THE WALL CORNER TRIM. FASTEN THE RAKE TRIM TO THE END CAPS USING POP RIVETS (H1100)



RAKE TRIM. COPE AS SHOWN. DO NOT FASTEN THE RAKE TRIM TO WALL PANEL.

SCULPTURED RAKE TO ON SLOPE GUTTER

DETAIL SHOWN WITH WALL PANEL AND CORNER TRIM. MASONRY AND INSULATED WALL PANEL CONDITIONS SIMILAR.

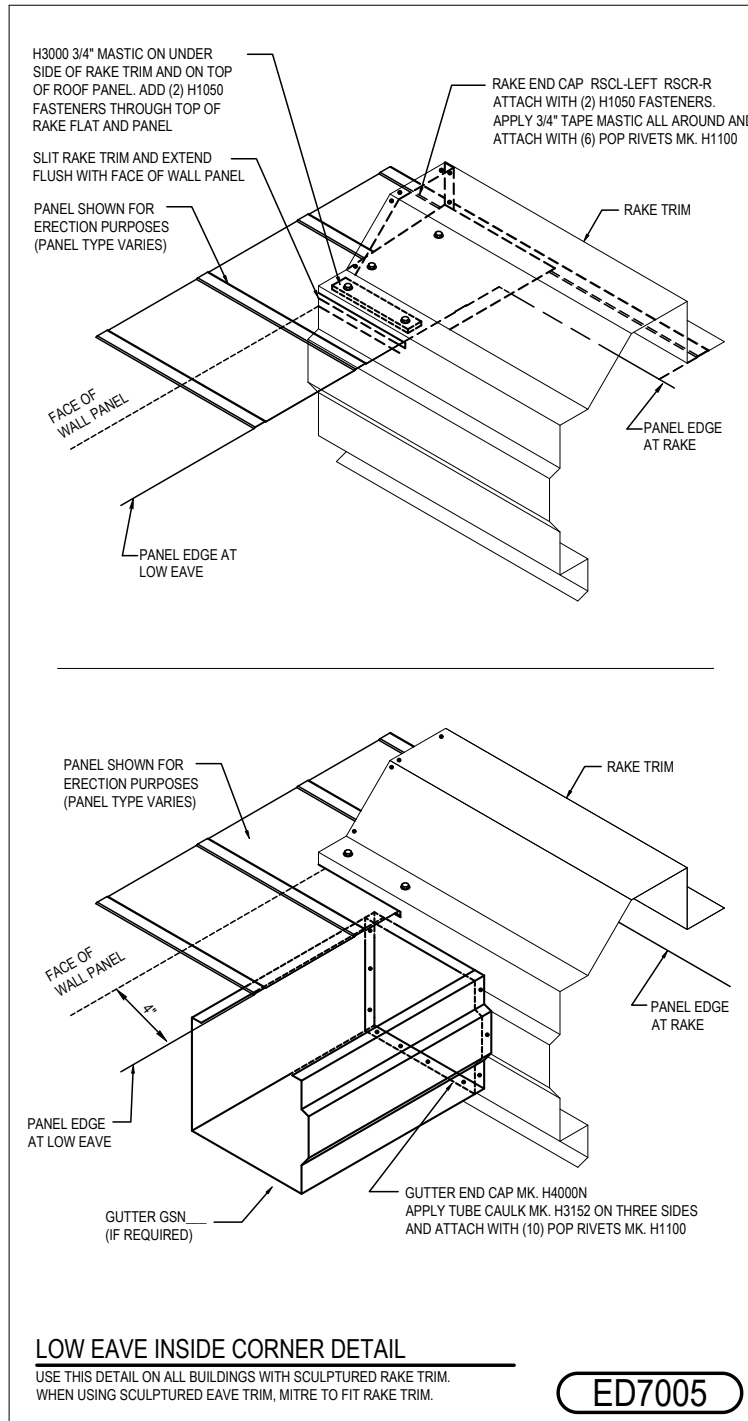
ED7000

Detailer Notes:

- 1) THIS DETAIL IS DUPLICATE OF DD7000. DUPLICATE DETAILS ARE TO ENSURE THAT THEY ARE PLACED IN ORDER IN ERECTION DRAWINGS.

ED7005 - LOW EAVE INSIDE CORNER TERMINATION w/ GUTTER

[Download the DWG file by clicking here.](#)

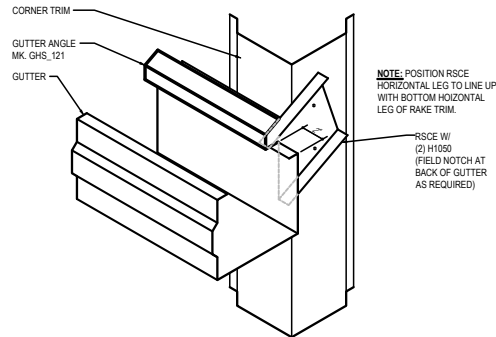


Detailer Notes:

- 1) THIS DETAIL IS DUPLICATE OF DD7005. DUPLICATE DETAILS ARE TO ENSURE THAT THEY ARE PLACED IN ORDER IN ERECTION DRAWINGS.

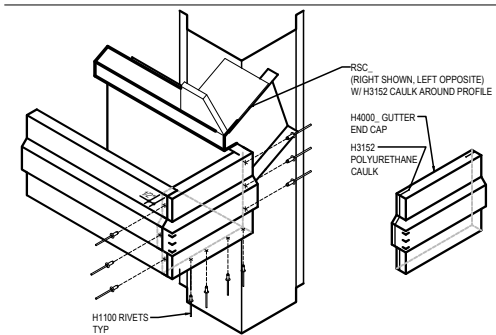
ED7010 - HORIZONTAL GUTTER - SCULPTURED RAKE

[Download the DWG file by clicking here.](#)



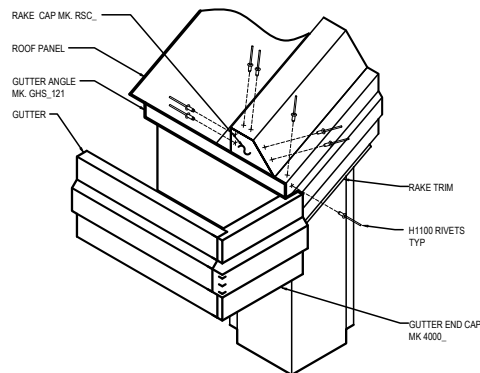
STEP 1

- GUTTER ANGLE (GHS_121) AND GUTTER POSITIONING TRIM (GHP121) STOP FLUSH WITH FACE OF CORNER.
- TRIM EXTEND GUTTER 2" BEYOND FACE OF CORNER TRIM.
- MITER RSC TO ROOF SLOPE AND INSTALL TO FACE OF CORNER TRIM TO CLOSE OFF END OF GUTTER SUPPORT TRIMS.



STEP 2

- TO TERMINATE THE GUTTER APPLY POLYURETHANE CAULK TO THREE SIDES OF END CAP H4000, AND TOP RETURN AREA AS SHOWN AND INSERT 1/2" INTO THE GUTTER. ATTACH WITH (11) H1100 RIVETS.
- APPLY POLYURETHANE CAULK AROUND THE PROFILE OF THE RSC, AND POSITION ON TOP OF GHS_121 TO FILL END OF RAKE TRIM.



STEP 3

- EXTEND RAKE TRIM TO BE IN LINE WITH END OF PANEL AND EXTEND TO BACK SIDE OF GUTTER. INSTALL RAKE CAP RSC IN END OF RAKE TRIM.
- FIELD CORN AND MITER GUTTER ANGLE (GHS_121) AND GUTTER POSITIONING TRIM (GHP121) AND RAKE TRIM BEHIND GUTTER AS NEEDED.

HORIZONTAL GUTTER TO SCULPTURED RAKE
CORNER DETAIL - HORIZONTAL GUTTER TO SCULPTURED RAKE

ED7010

Detailer Notes:

- 1) THIS DETAIL IS DUPLICATE OF DD7010. DUPLICATE DETAILS ARE TO ENSURE THAT THEY ARE PLACED IN ORDER IN ERECTION DRAWINGS.

ED7303 - ON-SLOPE GUTTER AT HIP

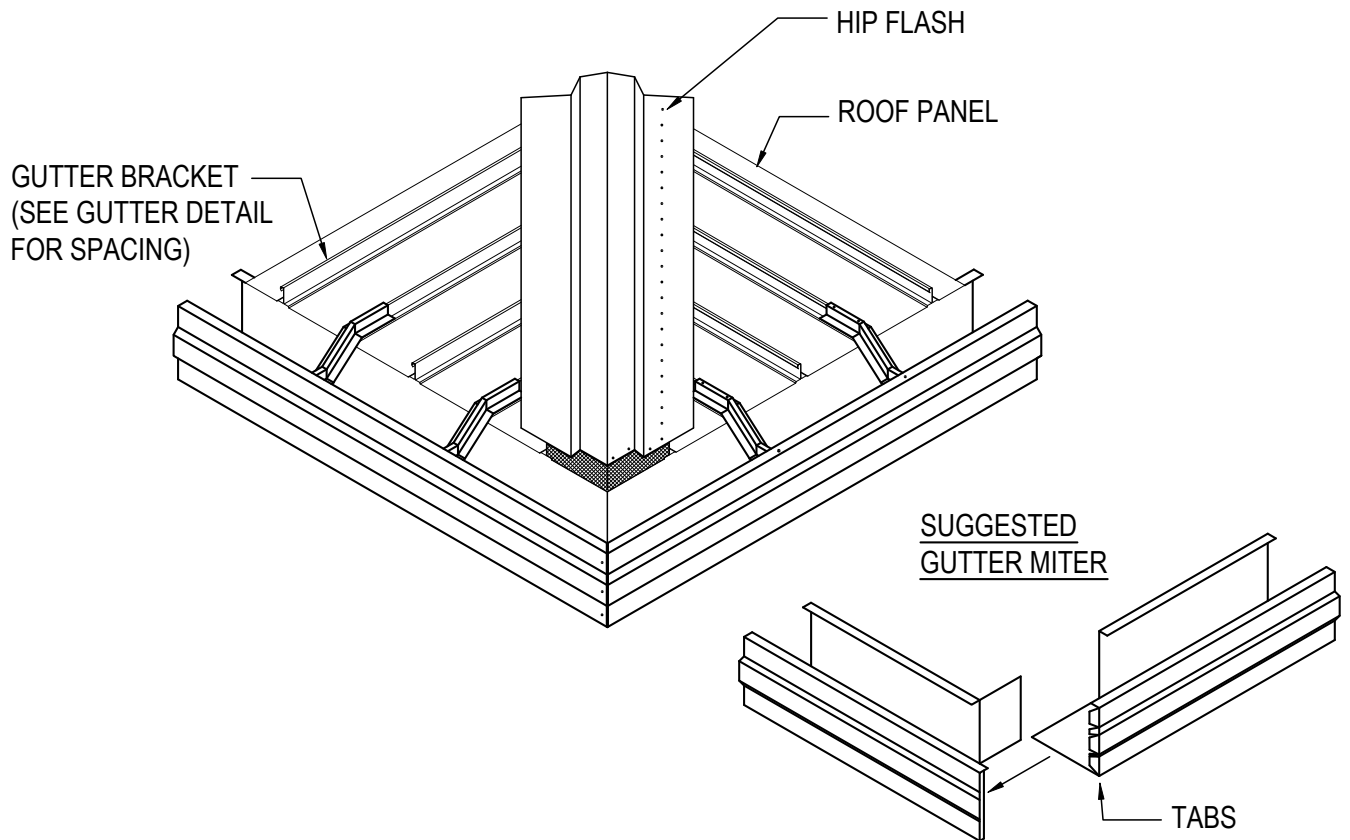
[Download the DWG file by clicking here.](#)

LOW EAVE GUTTER AT HIP

GUTTER HIP INSTALLATION

GUTTER AT HIP LOCATION MITER THE GUTTERS AT THE CORNER AS SHOWN AND FASTEN TOGETHER WITH POP RIVETS (MK. H1100). CAULK AT MITER WITH TUBE CAULK MK.H3152.

REFER TO THE LOW EAVE GUTTER DETAIL FOR MORE INFORMATION.



LOW EAVE GUTTER DETAIL AT HIP

DETAIL SHOWN WITH ROOF PANEL

ED7303

Detailer Notes:

1) N/A

ED7304 - ON-SLOPE GUTTER AT VALLEY

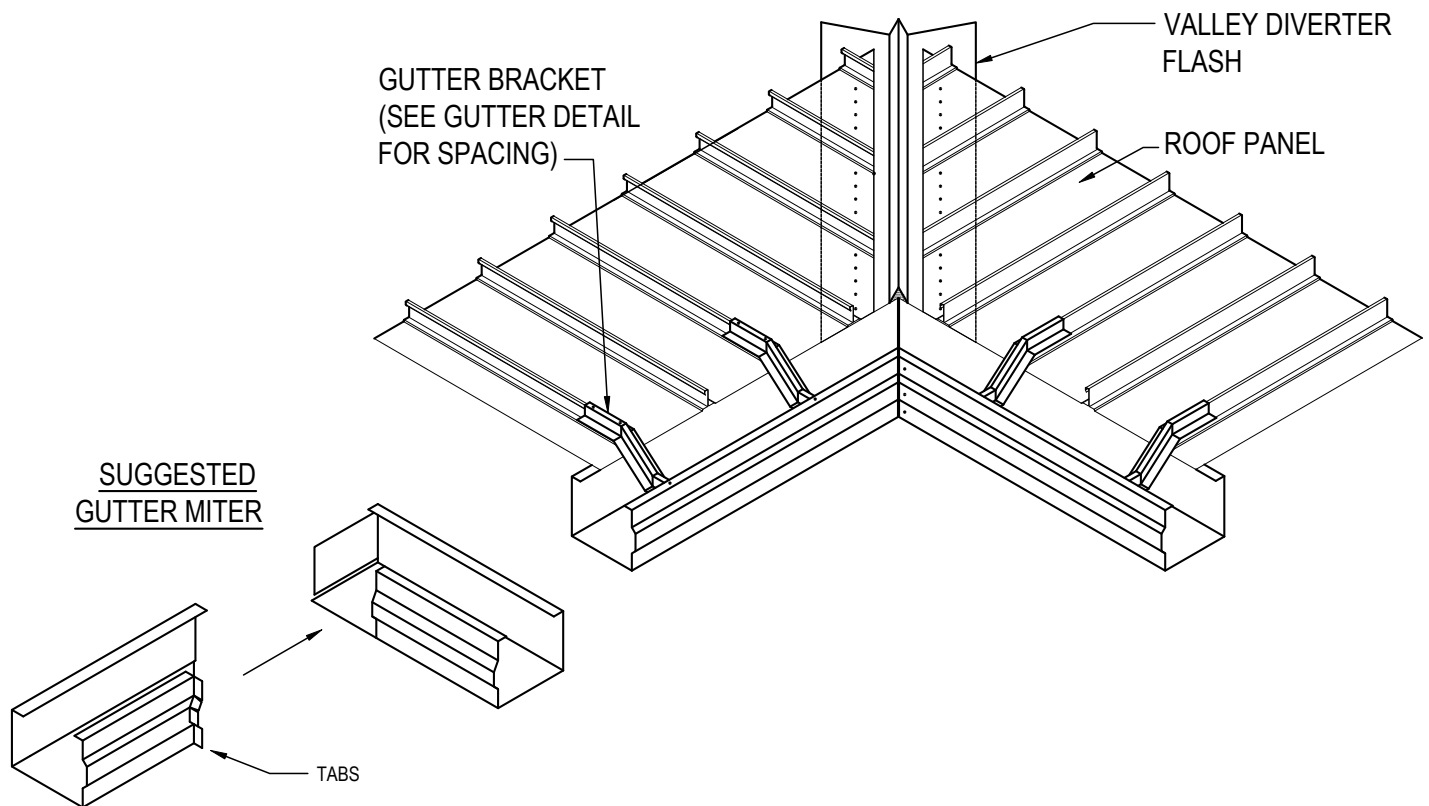
[Download the DWG file by clicking here.](#)

LOW EAVE GUTTER AT VALLEY

GUTTER VALLEY INSTALLATION

GUTTER AT VALLEY LOCATION MITER THE GUTTERS AT THE CORNER AS SHOWN AND FASTEN TOGETHER WITH POP RIVETS (**MK. H1100**). CAULK AT MITER WITH TUBE CAULK **MK.H3152**.

REFER TO THE LOW EAVE GUTTER DETAIL FOR MORE INFORMATION.



LOW EAVE GUTTER DETAIL AT VALLEY

DETAIL SHOWN WITH ROOF PANEL

ED7304

Detailer Notes:

1) N/A

ED7603 - ON-SLOPE GUTTER AT HIP

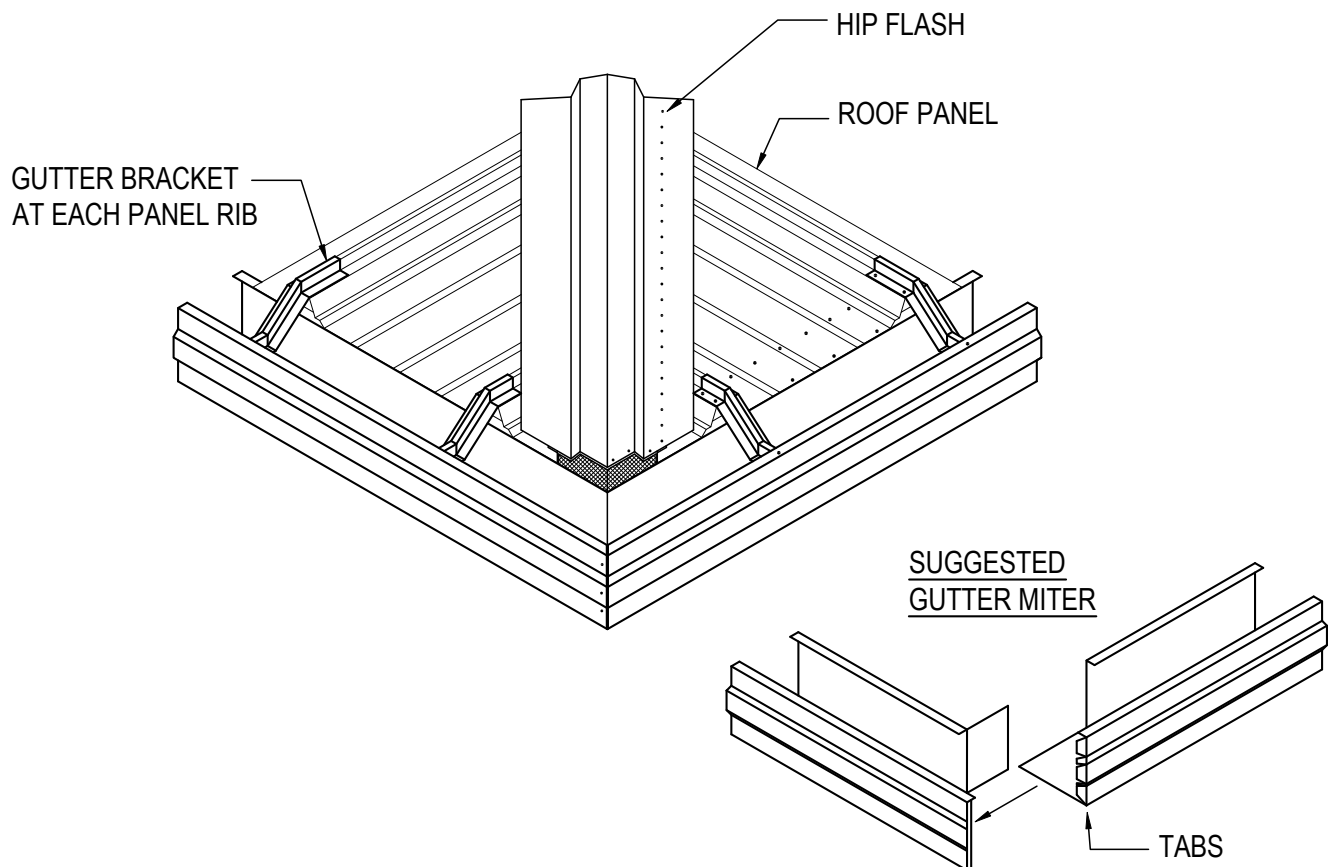
[Download the DWG file by clicking here.](#)

LOW EAVE GUTTER AT HIP

GUTTER HIP INSTALLATION

GUTTER AT HIP LOCATION MITER THE GUTTERS AT THE CORNER AS SHOWN AND FASTEN TOGETHER WITH POP RIVETS (MK. H1100). CAULK AT MITER WITH TUBE CAULK MK.H3152.

REFER TO THE LOW EAVE GUTTER DETAIL FOR MORE INFORMATION.



LOW EAVE GUTTER DETAIL AT HIP

DETAIL SHOWN WITH ROOF PANEL

ED7603

Detailer Notes:

1) N/A

ED7604 - ON-SLOPE GUTTER AT VALLEY

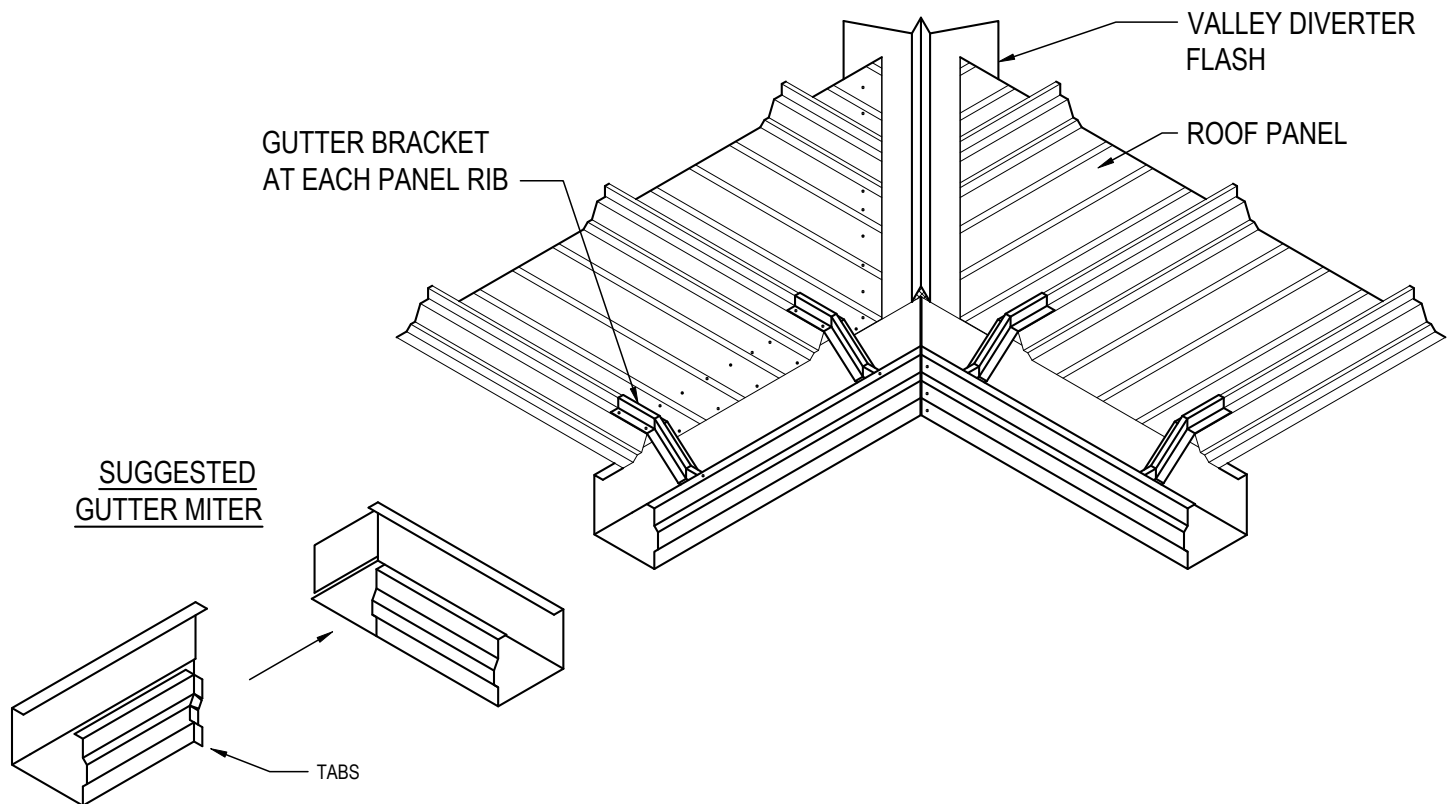
[Download the DWG file by clicking here.](#)

LOW EAVE GUTTER AT VALLEY

GUTTER VALLEY INSTALLATION

GUTTER AT VALLEY LOCATION MITER THE GUTTERS AT THE CORNER AS SHOWN AND FASTEN TOGETHER WITH POP RIVETS (MK. H1100). CAULK AT MITER WITH TUBE CAULK MK.H3152.

REFER TO THE LOW EAVE GUTTER DETAIL FOR MORE INFORMATION.



LOW EAVE GUTTER DETAIL AT VALLEY

DETAIL SHOWN WITH ROOF PANEL

ED7604

Detailer Notes:

1) N/A